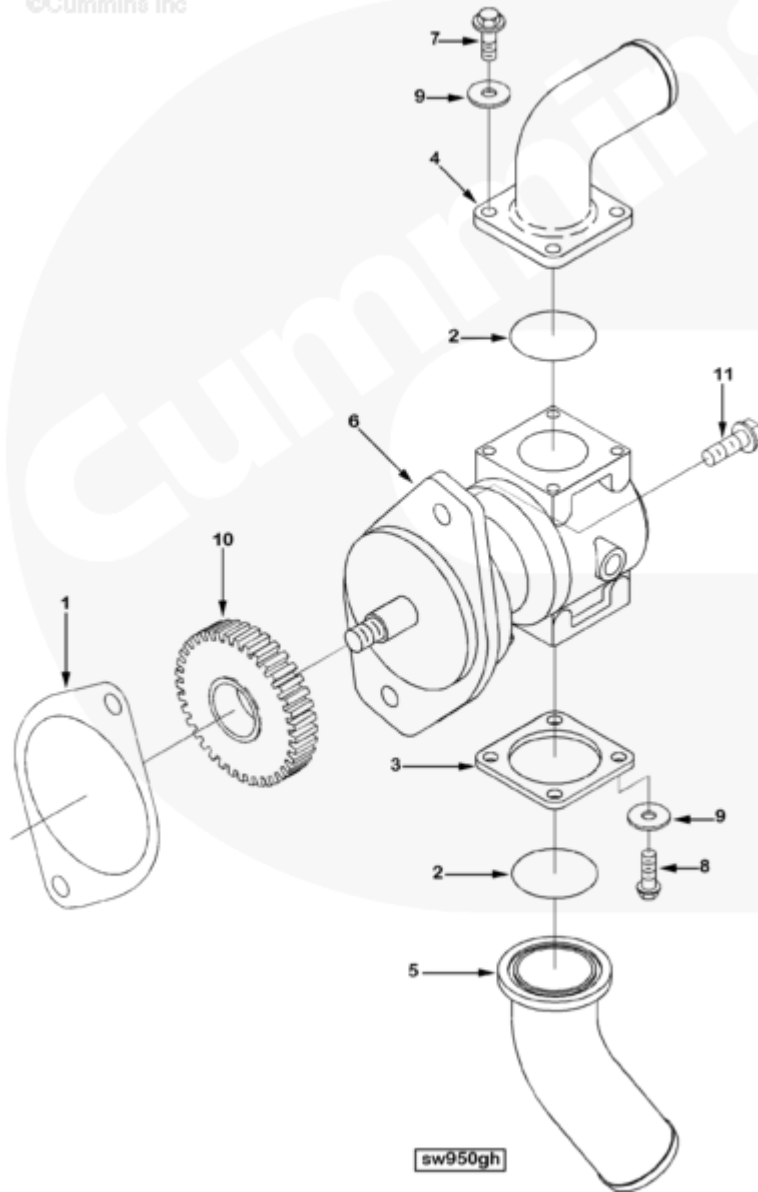




Parts Catalog - Option Detail

Electronic Parts Catalog - Option Detail				
Option	Group	Graphic	Film Card	Date
SW9037-02	08.11	sw950gh	T	19-SEP-02
Engines	4B3.9, 6A3.4, 6B5.9, B GAS INTERNATIONAL CM556, B4.5, B4.5 CM2350 B129B, B4.5 CM2350 B146C, B4.5 CM2350 B147B, B4.5 RGT, B4.5S, B5.9 G, B5.9 GAS PLUS CM556, B5.9 LPG, B5.9 LPG PLUS CM556, B6.7 CM2350 B121B, B6.7 CM2350 B135B, B6.7 CM2350 B136C, B6.7 CM2350 B148B, B6.7 G CMOH6.0 B125, B6.7N CM2380 B150B, B6.7S, F3.8 CM2350 F120B, F3.8 CM2350 F128C, F3.8 CM2350 F132B, F3.8 F102, G3.9, G5.9, G5.9 CM558, ISB (CHRYSLER), ISB CM2150, ISB CM2150 E, ISB CM550, ISB CM850, ISB/ISD4.5 CM2150 B119, ISB/ISD4.5 CM2150 SN, ISB/ISD6.7 CM2150 B120, ISB/ISD6.7 CM2150 SN, ISB/ISD6.7 CM2880 B126, ISB3.9 CM2220 B107, ISB4.5 CM2150, ISB5.9G CM2180, ISB6.7 2010 DCX PICKUP, ISB6.7 2013 DCX CHASSIS CAB, ISB6.7 CM2150 SQ, ISB6.7 CM2250, ISB6.7 CM2350 B101, ISB6.7 CM2350 B103, ISB6.7 CM2350 B142, ISB6.7 CM2670 B153B, ISB6.7 G CM2180 B118, ISBE CM2150, ISBE CM800, ISBE2/ISBE3 CM850, ISBE4 CM850, ISD4.5 CM2150, ISD6.7 CM2880 D101, ISF2.8 CM2220, ISF2.8 CM2220 AN, ISF2.8 CM2220 EC, ISF2.8 CM2220 ECF2, ISF2.8 CM2220 F101, ISF2.8 CM2220 F117, ISF2.8 CM2220 F122, ISF2.8 CM2220 F126, ISF2.8 CM2220 F129, ISF2.8 CM2220 IAN, ISF3.8 CM2220, ISF3.8 CM2220 AN, ISF3.8 CM2220 F103, ISF3.8 CM2220 F110, ISF3.8 CM2220 F116, ISF3.8 CM2220 F134B, ISF3.8 CM2220 IAN, ISF3.8 CM2350 F109, ISF4.5 CM2220 F123, ISG11 CM2880 G106, ISG11 CM2880 G108, ISG12 CM2880 G107, ISG12 CM2880 G109, ISG12 G CMOH6.0 G111, QSB3.9 30 CM550, QSB3.9 CM2880 B138, QSB4.5 30 CM550, QSB4.5 CM2150 B108, QSB4.5 CM2250 B131, QSB4.5 CM2250 EC, QSB4.5 CM2350 B106, QSB4.5 CM2350 B122			



SMALL | MEDIUM | LARGE

Cart	Ref No	Part Number	Part Description	Required	Remarks
View My Cart					
		SW9037-02	Raw Water Pump		Raw Water Pump...(More)
					Cylinders: 6
					Mfg-Model: Sherwood P1730
					SBD
					Flow Rate GPM at RPM (8 PSI
					Back Pressure): TBD
					Drive Method: Accessory
					Drive Gear
					Outlet Flange: 101-2 (SAE B)

					Inlet OD: 50.8 MM
					Outlet OD: 44.50 MM
					Marine Up-Grade Engine: Yes
					Restricted Fuel Pump: Bosch
					P7100
					Engine Family: B Series
<input type="checkbox"/>	1	3008400	Hydraulic Pump Gasket	1	
<input type="checkbox"/>		3866493	Sea Water Pump	1	
<input type="checkbox"/>	2	3866102	O-Ring Seal	2	
<input type="checkbox"/>	3	3866706	Flange	1	
<input type="checkbox"/>	4	3866707	Water Outlet Connection	1	
<input type="checkbox"/>	5	3897634	Water Inlet Connection	1	
<input type="checkbox"/>	6	3964765	Sea Water Pump	1	
<input type="checkbox"/>	7	3900630	Hexagon Flange Head Cap Screw	4	M8 X 1.25 X 20
<input type="checkbox"/>	8	3900631	Hexagon Flange Head Cap Screw	4	M8 X 1.25 X 25.
<input type="checkbox"/>	9	3924653	Plain Washer	8	8.4MM
<input type="checkbox"/>	10	3931338	Accessory Drive Gear	1	
<input type="checkbox"/>	11	3910495	Hexagon Flange Head Cap Screw	8	M12 X 1.75 X 30.
<input type="checkbox"/>		3897337	Raw Water Pump-Minor Kit	A/R	Contains an impeller and
					parts needed for impeller
					change.
<input type="checkbox"/>		3964987	Sea Water Pump Intermediate Kit	A/R	Contains parts needed to
					rebuild the water side of
					the pump; no oil side
					components are included.
		3964988	Sea Water Pump Major Kit	A/R	Contains all the parts
					including seals, bearings
					and the impeller that is

					needed to rebuild the entire
					pump.
<input type="checkbox"/>		4089742	Vacuum Pump Repair Kit	A/R	

© 2019 Cummins Inc., Box 3005, Columbus, IN 47202-3005 U.S.A.
 Terms of Use and Disclaimers | Recommended System Requirements
 Need Assistance? Please click on the Contact Us button in the top right corner of any page.